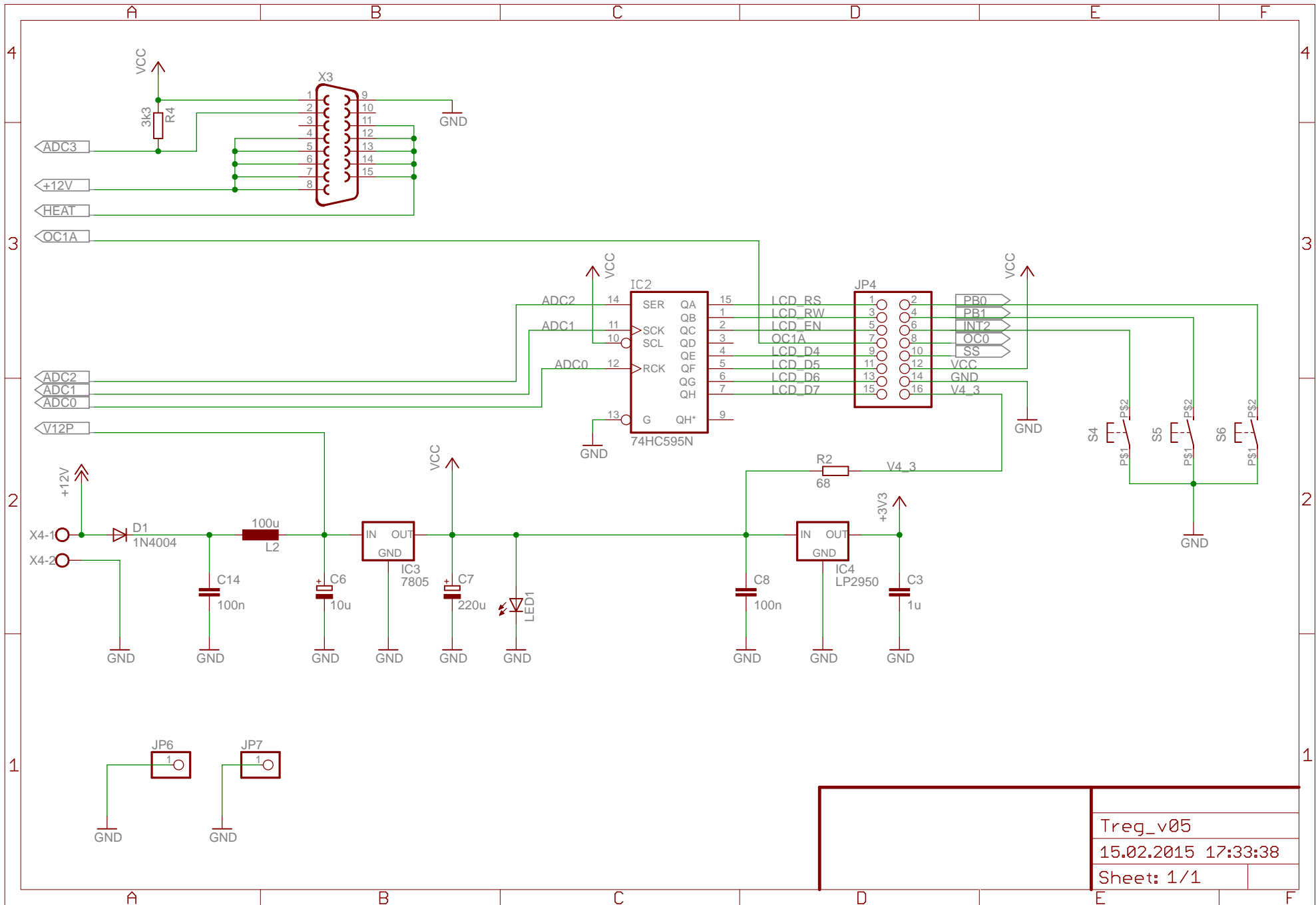


Treg_v05
 15.02.2015 17:33:38
 Sheet: 1/1



Treg_v05
 15.02.2015 17:33:38
 Sheet: 1/1